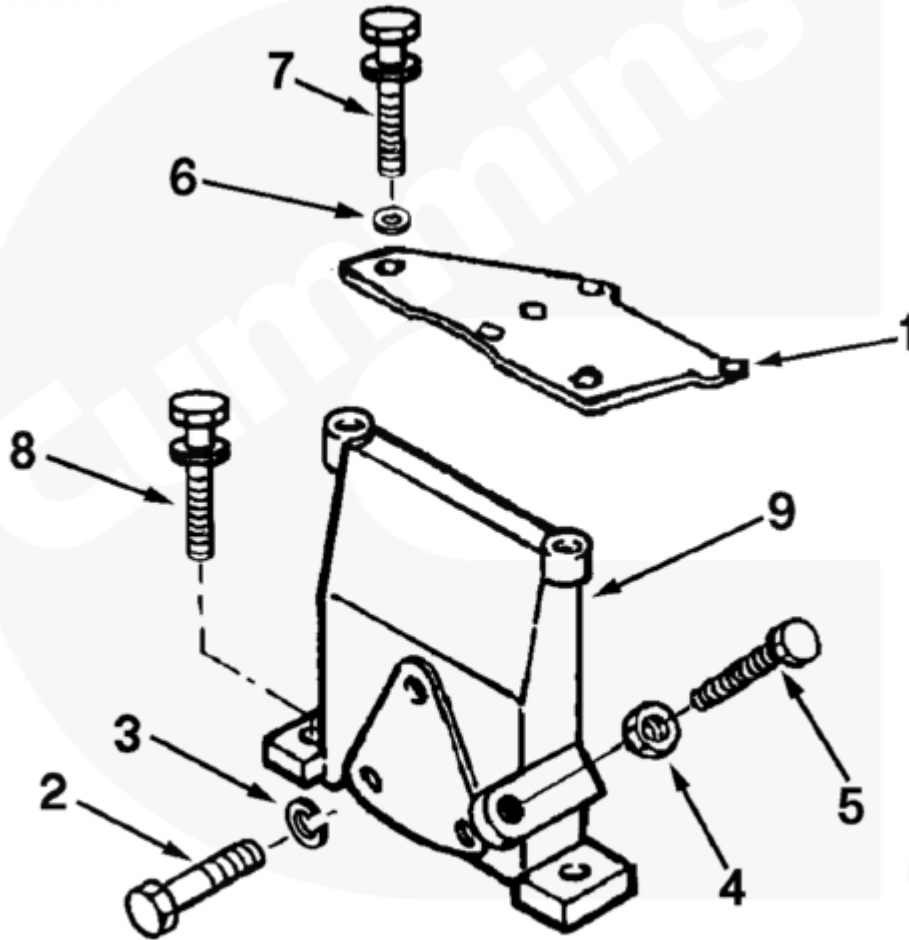




# Parts Catalog - Option Detail

Electronic Parts Catalog - Option Detail				
Option	Group	Graphic	Film Card	Date
FA1705	08.04	fa102gp	F	15-SEP-92
<b>Engines</b>	NH/NT 855, NT495, NT743, NTA855 N106			

©Cummins Inc



fa102gp

[SMALL](#) | [MEDIUM](#) | [LARGE](#)

Cart	Ref No	Part Number	Part Description	Required	Remarks
<a href="#">View My Cart</a>					
		FA1705	Fan Bracket		
					Fan Bracket

					Fan hub base bracket for
					pivot type adjustment fan
					hubs. Use when no top mount
					torque converter cooler is
					specified.
<input type="checkbox"/>	1	<a href="#">217034</a>	Fan Brace	1	
<input type="checkbox"/>	2	<a href="#">3076314</a>	Hexagon Head Cap Screw	3	1/2 - 20 x 1 3/4 inch
<input type="checkbox"/>	3	<a href="#">S 608</a>	Lock Washer	3	1/2 in.
<input type="checkbox"/>	4	<a href="#">S 285</a>	Heavy Hexagon Jam Nut	1	1/2 - 13 UNC
<input type="checkbox"/>	5	<a href="#">166777</a>	Hexagon Head Cap Screw	1	1/2 - 13 x 2 1/4 inch
<input type="checkbox"/>	6	<a href="#">117267</a>	Counter Weight Washer	2	1/2 inch
<input type="checkbox"/>	7	<a href="#">3076316</a>	Captive Washer Cap Screw	2	1/2 - 20 x 1 1/2 inch
<input type="checkbox"/>	8	<a href="#">3015282</a>	Captive Washer Cap Screw	2	7/16 - 14 x 1 1/8 inch
<input type="checkbox"/>	9	<a href="#">208829</a>	Fan Bracket	1	